

# LCD DIGITAL PANEL METERS

Low-cost 3 1/2 Digit LCD Displays for process inputs



DPM shown actual size

## Features:

- Space saving design only 1.4"(35.6mm) deep
- Occupies less than 2.5 x 1.1 inches of front panel space
- High contrast LCD
- 3-1/2 digits with 0.39" LCD
- Snap-In bezel eliminates the need for mounting hardware
- User Selectable Decimal Points
- Process input (4 to 20mA) adder board with multi-turn SPAN (GAIN) and ZERO (OFFSET) adjustments
- Loop powered

## Specifications:

<b>Display:</b>	
Digits:	3 1/2 Digits ( $\pm 1999$ counts)
Type:	0.39" (10mm) High Contrast Reflective LCD
Polarity:	Automatic, "-" Displayed.
Decimal Points:	3 Position, User Selectable
Overload:	Three lower order digits blank for inputs $>1999$ & $<-1999$
<b>Inputs:</b>	
Ranges:	Process Inputs, 4 to 20mA
Configuration:	Bipolar, Differential
Protection:	$\pm 350V$ DC, ( $\pm 100V$ DC on 200mV Range)
Loop Burden:	300 $\Omega$ nominal@20mA DC (Loop powered)
<b>Performance:</b>	
Accuracy:	$\pm(0.1\% + 1$ counts) Typical $\pm(0.2\% + 2$ counts) Maximum
Conversion Rate:	3 per Second
Normal Mode Rejection:	$>30$ db @ 60 Hz
Common Mode Range:	$\pm 1V$ DC
Common Mode Rej.:	$>86$ dB
Zero Adjustment:	Automatic
Warmup:	10 Minutes Typical
Temperature Coeff.:	$\pm 100$ ppm per $^{\circ}C$ Typical
<b>Environment:</b>	
Operating Range:	0 to 50 $^{\circ}C$
Storage Range:	-10 to 60 $^{\circ}C$
<b>Power Supply:</b>	
	Powered by milliamp control loop
<b>Mounting:</b>	
LCD:	Snap-In Bezel Mount
Process Board:	Plugs onto DPM pins, adds approx. 0.6"(16mm) to depth
<b>Connection:</b>	
	10 Pins, 0.025" Square on 0.1" centers
	Screw terminals on Process Board

## Ordering Information:

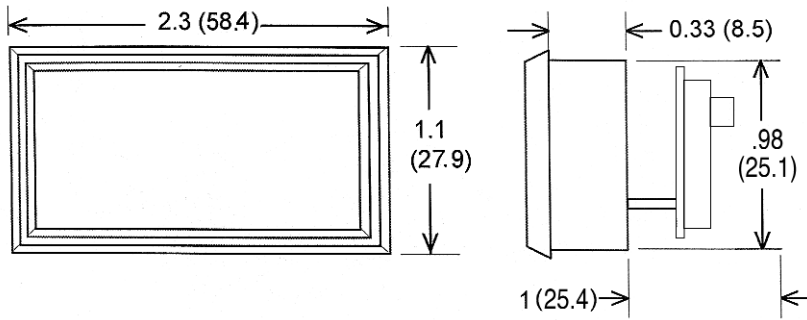
**DK190** .....LCD DPM, 4 to 20mA board, Loop Powered .....

**PW2-24** .....Regulated 120V AC to 24V DC Adaptor .....

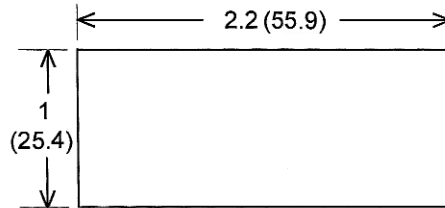


C-TON Industries • PO Box 10129 • Bedford, NH, 03110 • USA  
03110-0129

# Dimensions



## PANEL CUTOUT



# Wiring

